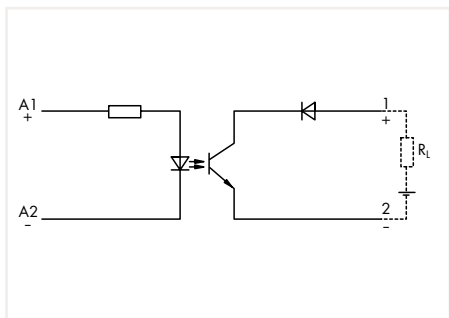
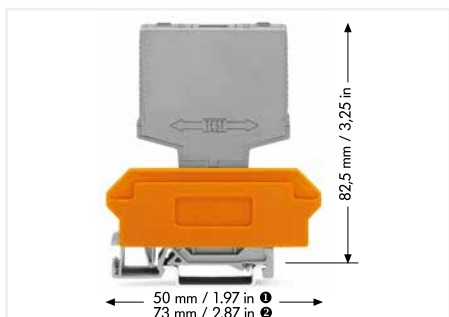


Optocoupler Module 286 Series



Optocoupler Module; Output voltage range:
20 ... 60 VDC; Limiting continuous current: 0.1 A;
2-wire connection; Frequency: 3 kHz;
Status indicator: red; 10 mm wide

U_N	I_N	Item No.	Pack. Unit
24 VDC	14 mA	286-791	1



Control Circuit

Input voltage range (high level)	15 ... 30 VDC
----------------------------------	---------------

Load Circuit

Circuit type	2-wire connection
Limiting continuous current	0.1 A
Output Voltage Range	20 ... 60 VDC
Voltage drop (output) max.	≤ 2 VDC
Leakage current at rated voltage	≤ 2.5 μA
Turn-on time	≤ 10 μs
Turn-off time	≤ 50 μs
Switching frequency	≤ 3 kHz

Safety and Protection

Pollution degree	2
Dielectric strength, control/load circuit (AC, 1 min)	2.5 kV _{rms}
Protection type	IP20

Physical Data

Width	10 mm / 0.394 inch
Height from upper-edge of DIN-rail	82.5 mm / 3.25 inch
Depth	52 mm / 1.654 inch

Mechanical Data

Mounting type	Pluggable relay module for terminal block for pluggable modules
---------------	---

Material Data

Weight	15.3 g
--------	--------

Environmental Requirements

Surrounding air temperature (operation at U_N)	-25 ... +40 °C
Surrounding air temperature (storage)	-25 ... +40 °C
Processing temperature	-25 ... +50 °C

Standards and Specifications

Standards/specifications	EN 60664-1
--------------------------	------------

Accessories



Terminal block for pluggable modules; 4-pole; with 2-conductor terminal blocks; with orange separator; for 35 x 15 mm and 35 x 7.5 mm DIN-rails; 2.5 mm²

Item No.	Pack. Unit
280-618	40



Terminal block for pluggable modules; 8-pole; with 4-conductor terminal blocks; with orange separator; for 35 x 15 mm and 35 x 7.5 mm DIN-rails; 2.5 mm²

Item No.	Pack. Unit
280-608	40



Terminal block for pluggable modules; 8-pole; with 4-conductor terminal blocks; with marker carrier; with orange separator; for 35 x 15 mm and 35 x 7.5 mm DIN-rails; 2.5 mm²

Item No.	Pack. Unit
280-762	30